

Fig.1

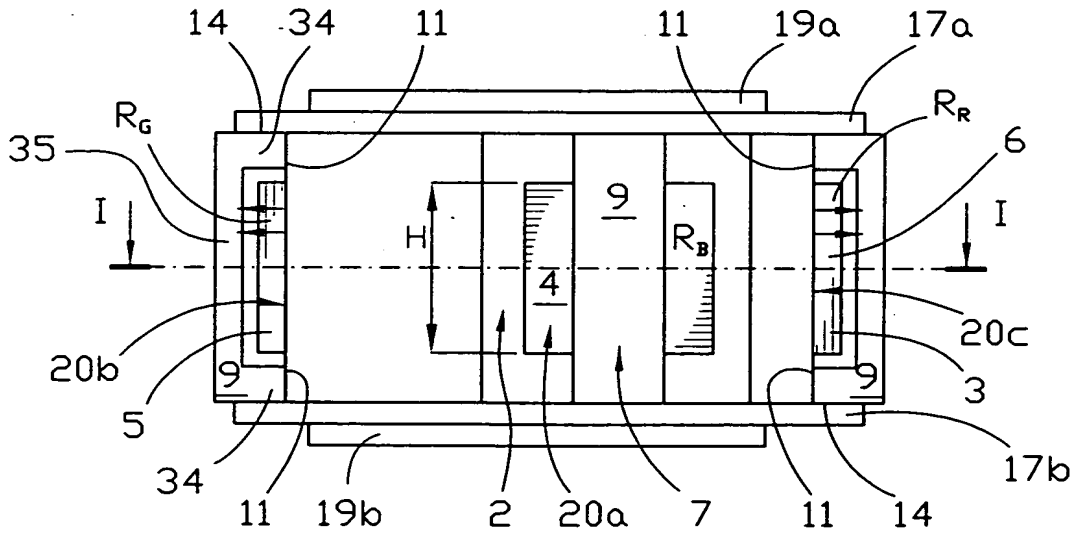


Fig.5

FOOTNOTES 051101 098768-061101

FOOTPRINT 89787860

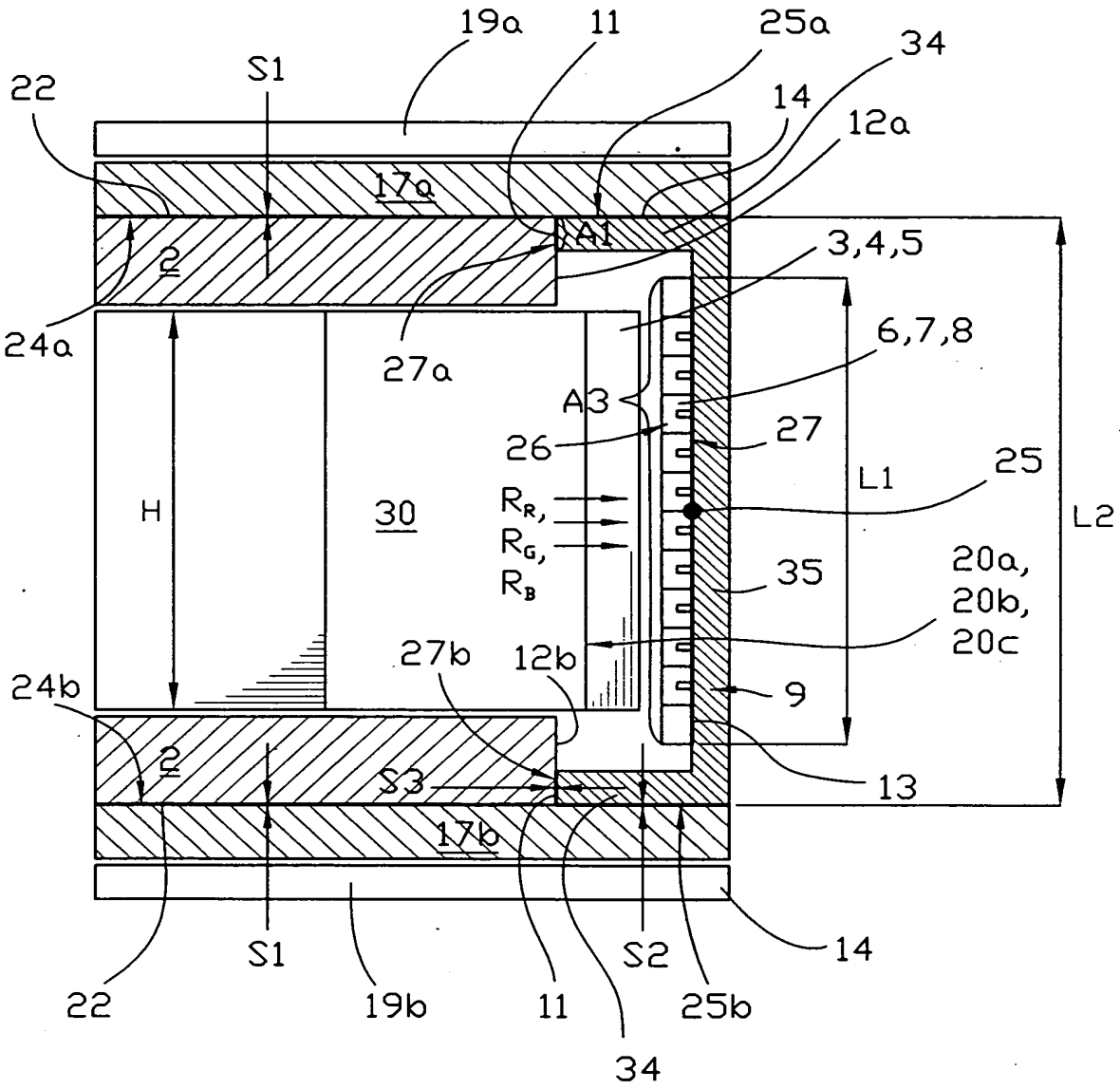


Fig.2

3/4

FIG. 3

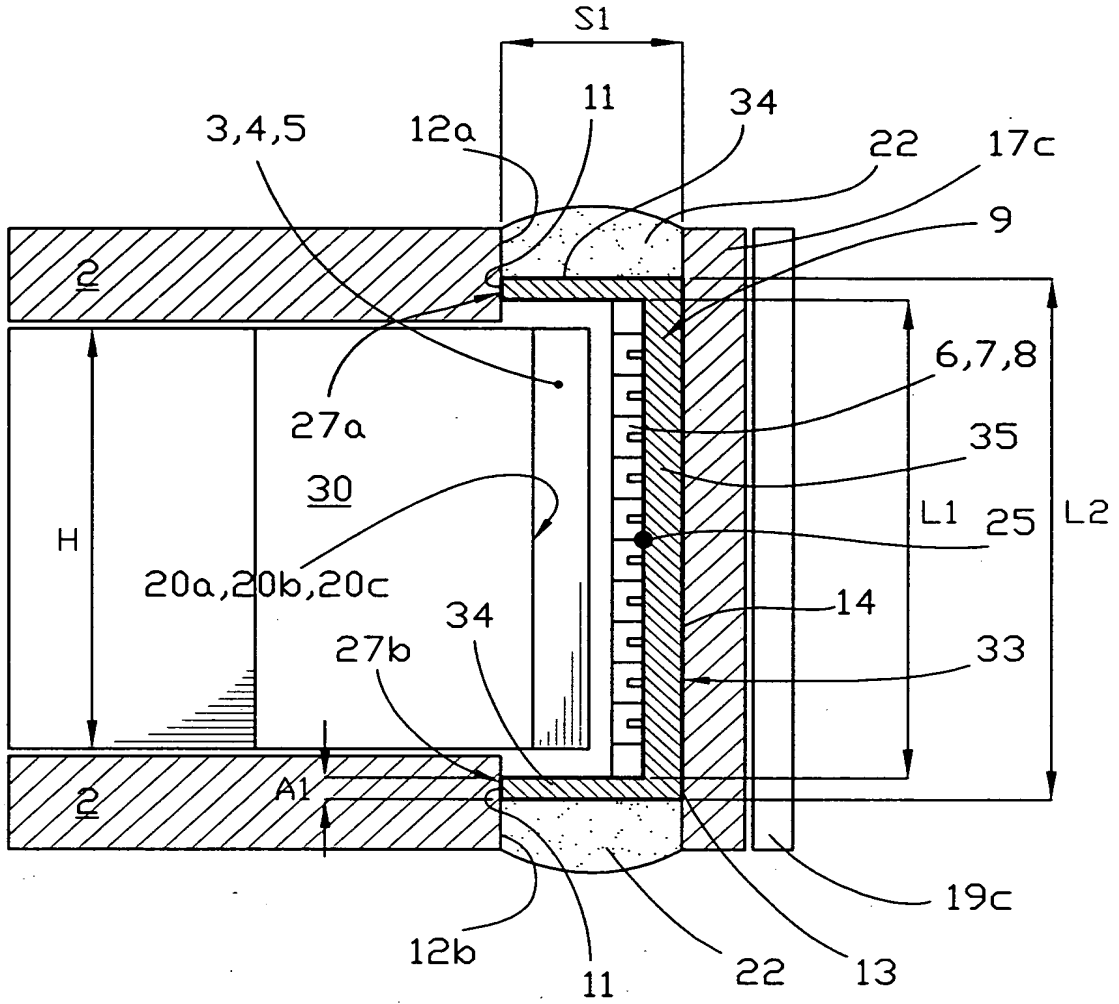


Fig.3

FOOTPRINT 89282860

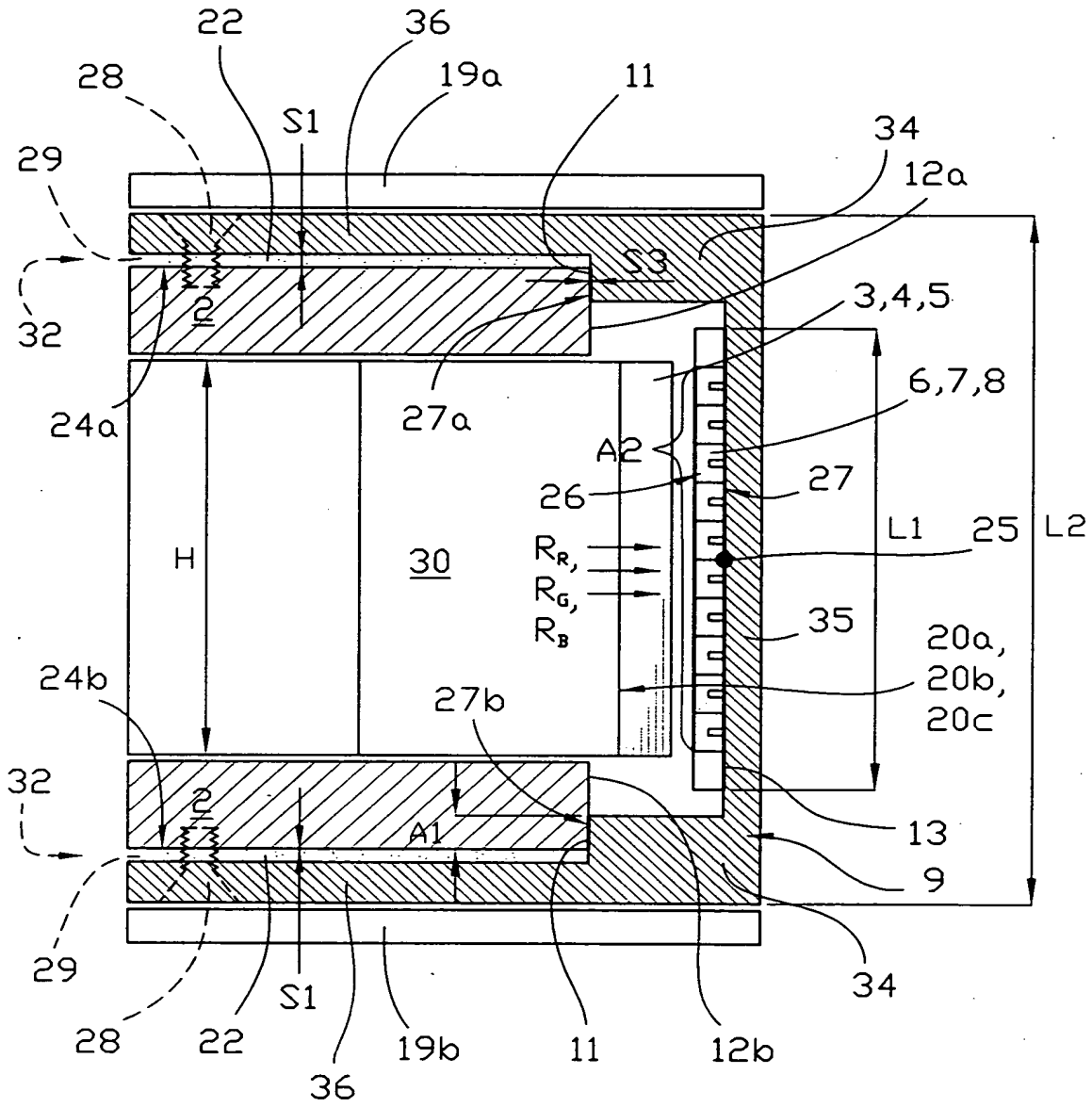


Fig.4